

# Operating Instructions

## The Meade® Green Laser Pointer

### Introduction

Your laser pointer uses two AAA batteries. It is recommended that you use alkaline batteries. Remove the batteries if you are not planning to use it for long periods.

To install or change the batteries, separate the two halves of the laser pointer by unthreading it at the center. Insert the batteries so that the "+" end points towards the rear of the pointer. Reassemble the laser pointer.

To turn on the laser, press and hold down the On/Off button. Release the button to turn off.

The laser pointer is not designed to be held in the On positions for long periods of time; rather, use it in short bursts to conserve the battery life.

**Do not** look directly at the laser light or shine the beam into the eyes of another person or animal. The laser can be harmful to eyes. **Do not** point the laser at any vehicle, aircraft, vessel or other moving object. **Do not** use the laser while operating any vehicle or equipment. Temporary blindness can occur. Keep out of the reach of children and **do not** let children use the laser as a toy.

Be courteous when using the laser pointer at star parties and try not to interfere with the observations of others. Some star parties forbid the use of green laser pointers. Check with the organizers of your star party for further information.

### SPECIFICATIONS

Wavelength . . . . . 532+/-10nm  
 Output . . . . . <5mW  
 Distance . . . . . up to 25,000 feet  
 Operating Voltage . . . . . 3V  
 Operating Temp . . . . . 77°F/25°C  
 Storage Temp Range . . . . . -17° - 122°F/-10° - 50°C  
 Battery . . . . . 2x AAA (24A/24AC ANSI, LR03 IEC)(Included)

If you have a question concerning use of the Meade **GREEN LASER POINTER**, call the Meade Instruments Customer Service Department at (800) 626-3233. Customer Service hours are 7:00 AM to 5:00 PM, Pacific Time, Monday through Friday.

**AVOID DIRECT EXPOSURE  
 LASER RADIATION--  
 AVOID DIRECT EYE CONTACT**  
 Laser Radiation is Emitted from  
 the APERTURE

**DANGER**

Keep Pointer Away from Children  
 Laser Diode/Class IIIa Laser Product  
 Wavelength: 532+/-10nm  
 Max Output Power <5mW



**MEADE®**  
 27 Hubble, Irvine, California 92618  
 (800) 626-3233 ■ www.meade.com

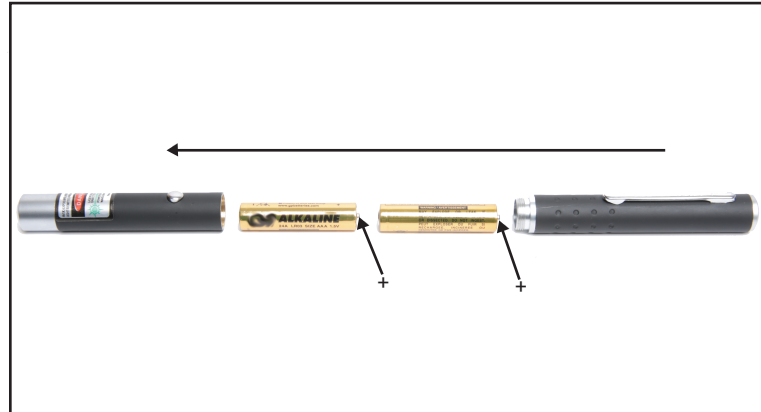


Fig 1: Install the batteries

### MEADE LIMITED WARRANTY

This accessory is warranted by Meade Instruments Corp. ("Meade") to be free of defects in materials and workmanship for a period of ONE YEAR from the date of original purchase in the U.S.A. and Canada. Meade will repair or replace a product, or part thereof, found by Meade to be defective, provided the defective part is returned to Meade, freight-prepaid, with proof of purchase. This warranty applies to the original purchaser only and is non-transferable. Meade products purchased outside North America are not included in this warranty, but are covered under separate warranties issued by Meade international distributors.

**RGA Number Required:** Prior to the return of any product or part, a Return Goods Authorization (RGA) number **must** be obtained from Meade by writing, or calling (800) 626-3233. Each returned part or product must include a written statement detailing the nature of the claimed defect, as well as the owner's name, address, and phone number.

This warranty is not valid in cases where the product has been abused or mishandled, where unauthorized repairs have been attempted or performed, or where depreciation of the product is due to normal wear-and-tear. Meade specifically disclaims special, indirect, or consequential damages or lost profit which may result from a breach of this warranty. Any implied warranties which cannot be disclaimed are hereby limited to a term of one year from the date of original retail purchase.

This warranty gives you specific rights. You may have other rights which vary from state to state. Meade reserves the right to change product specifications or to discontinue products without notice.

### Battery Safety Instructions

- Always purchase the correct size and grade of battery most suitable for the intended use.
- Always replace the whole set of batteries at one time, taking care not to mix old and new ones, or batteries of different types.
- Clean the battery contacts and also those of the device prior to battery installation.
- Ensure the batteries are installed correctly with regard to polarity (+ and -).
- Remove batteries from equipment which is not to be used for an extended period of time.
- Remove used batteries promptly.
- Never attempt to recharge primary batteries as this may cause leakage, fire, or explosion.
- Never short-circuit batteries as this may lead to high temperatures, leakage, or explosion.
- Never heat batteries in order to revive them.
- Remember to switch off devices after use.
- Keep batteries out of the reach of children; small batteries may be ingested.
- **Seek medical advice immediately if a battery has been swallowed.**

